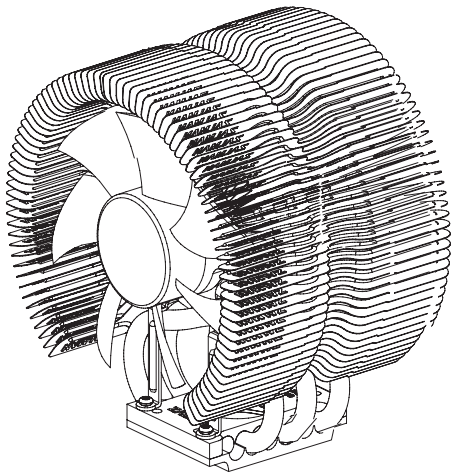


User's Manual

CNPS9500A LED



Intel Socket 1155/1156/1151/1150/775 CPUs
AMD Socket FM2/FM1/AM3+/AM3/AM2+/AM2 CPU & APUs

To ensure safe and easy installation,
please read the following precautions.

www.ZALMAN.com

Ver.150811

1. Precautions

- 1) Use and keep product away from reach of children and pets.
- 2) Do not ingest the Thermal Grease, and avoid its contact with skin and eyes. If contact is made with skin, wash off with water. If ingested or irritation persists, seek medical attention.
- 3) To prevent possible injuries, gloves must be worn while handling this product.
- 4) Excessive force exerted on the fan may cause damage to the fan and/or system.
- 5) Avoid inserting objects or hands into the fan while it is in operation to prevent product damage and injuries.
- 6) Check the components list and condition of the product before installation. If any problem is found, contact the retailer to obtain a replacement.
- 7) Zalman Tech Co., Ltd. is not responsible for any damages due to overclocking.
- 8) During transportation of the system, the cooler must be removed. Zalman is not responsible for any damages that occur during the transport of a system.
- 9) Product design and specifications may be revised to improve quality and performance.

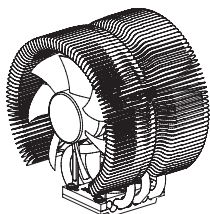
Disclaimer) Zalman Tech Co., Ltd. is not responsible for any damages due to external causes, including but not limited to, improper use, problems with electrical power, accident, neglect, alteration, repair, improper installation, or improper testing.

2. Specifications

Spec.		Model	CNPS9500A LED
Material			Pure Copper
Weight			530g
Dimensions			85(L) X 112(W) X 125(H)mm
Fan	Bearing-Type		2 Ball-Bearing
	RPM		1,350rpm ~ 2,600rpm \pm 10%
	Noise Level		18.5 ~ 27.5dBA \pm 10%
	Input Voltage		12V
Fan Mate 2	Output Voltage		5 ~ 11V \pm 2%
	Maximum Capacity		Up to 6W

3. Components

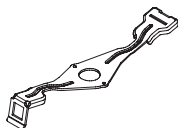
1) Common Components



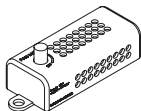
Cooler



User's Manual



Clip



Fan Mate 2



Fan Mate 2 Cable

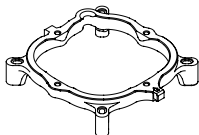


Double-Sided Tape

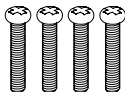


Thermal Grease
(ZM-STG2M)

2) Intel Components



Clip Support



Clip Support Fixing Bolts



Intel Clip Lever



Washers



Nuts



Clip Fixing Bolts

3) AMD Components



AMD Clip Lever

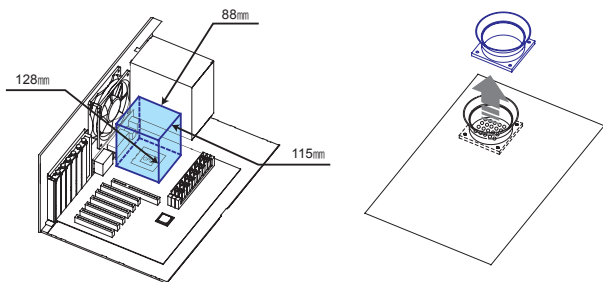
4. Installation Requirements

1) Space Requirements

The cooler's installation requires unobstructed space with dimensions of 155mm (width), 88mm (length), 128mm (height), and the CPU as a central reference point. Please check if components such as ODDs and PSU protrude into the required space.

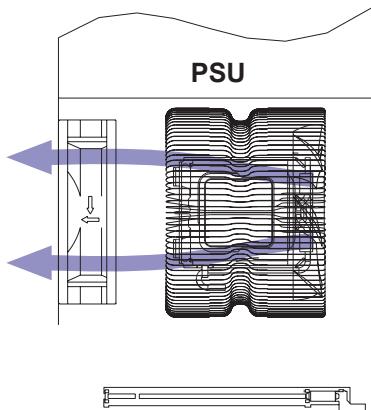
2) Air Guide Removal

Air guides on enclosures must be removed, before the cooler's installation, for they protrude into the cooler's required space.



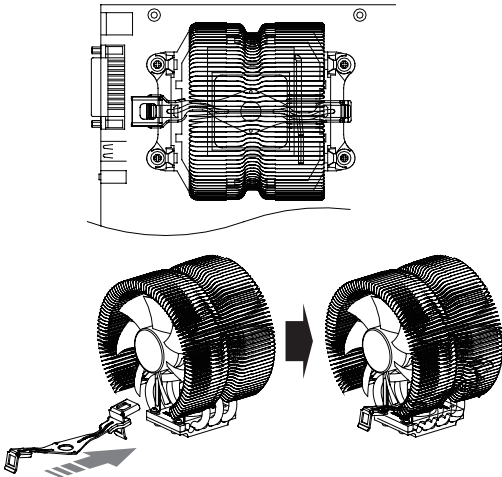
3) Cooler Orientation

It is recommended that the cooler be installed so that air flows from the cooler toward the enclosure's rear exhaust fan.

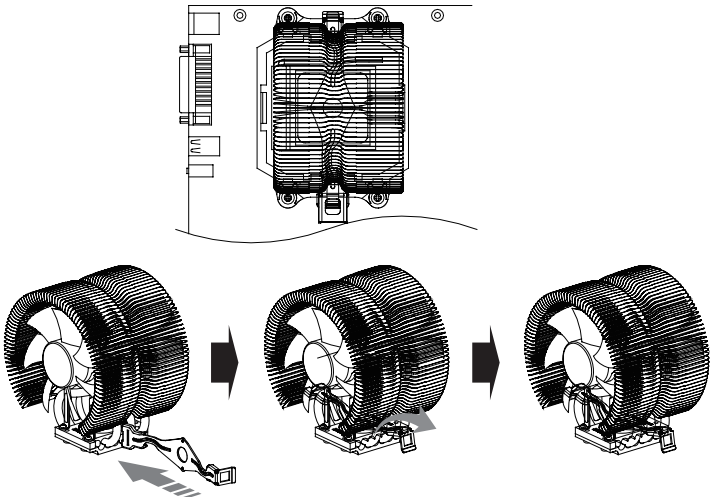


4) Installation Based On Clip Orientation

A. Horizontal Clip Orientation



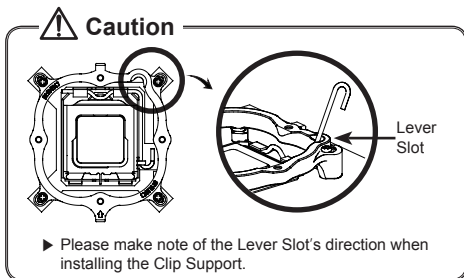
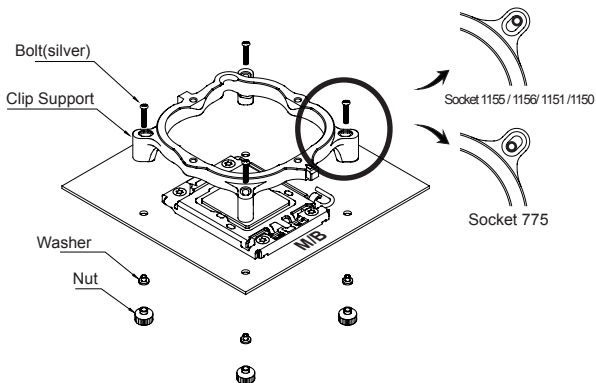
B. Vertical Clip Orientation



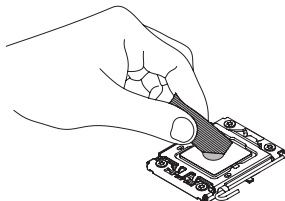
5. Installation

1) Intel Socket 1155 / 1156 / 1151 / 1150 / 775 Installation

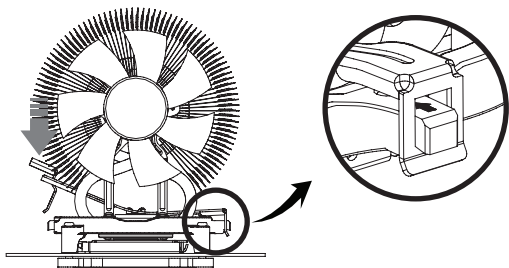
- ① Install the Clip Support to the motherboard according to the socket-type.



- ② Clear off any particles or residue from the CPU's surface then spread a thorough layer of Thermal Grease on the CPU and the base of the cooler.



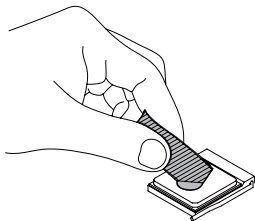
- ③ Refer to page 4 'Installation Based On Clip Orientation' and position the Clip over the cooler's Base Cover.
- ④ Insert the Intel Clip Lever into the Clip's Lever Slot then hook on the Clip's opposite end onto the Lug marked with the arrow head. Press down the Clip Lever and hook on the Clip Lever onto its Lug.



- ⑤ Refer to Section 6 'Fan Mate 2 Installation and Usage' for instructions on power connection.

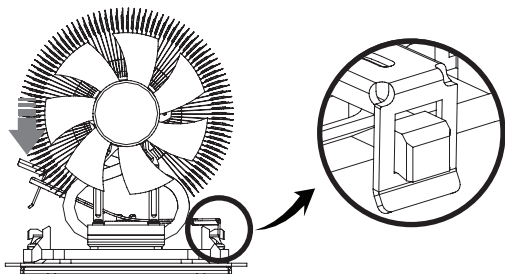
2) AMD Socket FM2/FM1/AM3+/AM3/AM2+/AM2 Installation

- ① Clear off any particles or residue from the CPU's surface then spread a thorough layer of Thermal Grease on the CPU and the base of the cooler.



- ② Refer to page 4 'Installation Based On Clip Orientation' and position the Clip over the cooler's Base Cover.

- ③ Insert the AMD Clip Lever into the Clip's Lever Slot then hook on the Clip's opposite end onto its Lug.
Press down on the Clip Lever and hook on the Clip Lever onto its Lug.

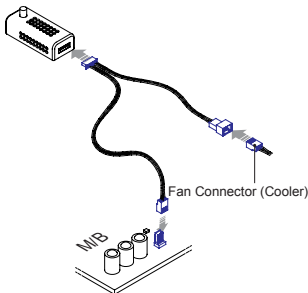


- ④ Refer to Section 6 'Fan Mate 2 Installation and Usage' for instructions on power connection.

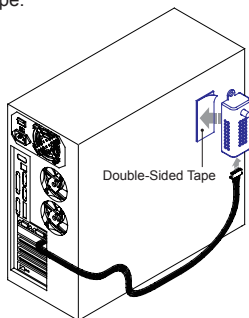
6. Fan Mate 2 Installation and Usage

1) Fan Mate 2 Installation

- ① Connect Fan Mate 2 between the Fan Cable and the motherboard as shown in the diagram below.

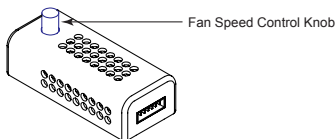


- ② Fan Mate 2 can be installed to the side of the case using Double-Sided Tape.



2) Fan Mate 2 Operation

Adjust the Fan Speed Control Knob for RPM control.



BIOS Booting Error

In the case that you get a BIOS error beep:

- ① Rotate the Fan Speed Control Knob clockwise to the maximum setting.
- ② Disable CPU Fan Detected in BIOS setting or set the system monitoring program's CPU Fan RPM to the lowest setting.

※ Certain motherboards will not boot if the CPU fan's RPM is not detected. In this case inquire to the motherboard's manufacturer for additional details.