

Hot Deals



CLEARANCE

- Motherboard
 - Barebone
 - Casing
 - Notebook
 - Processor
- Home
 - Power Supply
 - Speaker
 - Printer
 - Cables
 - Surplus
 - Mouse

[About Us](#)

[R SPECIALS](#) monitor specials

[IBM THINKCENTRE 915](#)

[About Us](#)

[Careers](#)

[Submit Query](#)

HP VECTRA VLI8 P3 TOWERS , FULLY LOADED ; ALL TOWERS .

SPECS : P3-450 / 64-96MB / 6-8G / CD / FDD / SOUND /4- 8MB SGRAM VIDEO

BOOK YOUR CONTAINER NOW . 1400 PER 40' CONTAINER

[SPECS CAN BE PII 400 TO PIII PLEASE EMAIL FOR PRICES .](#)





Vectra Products Overview

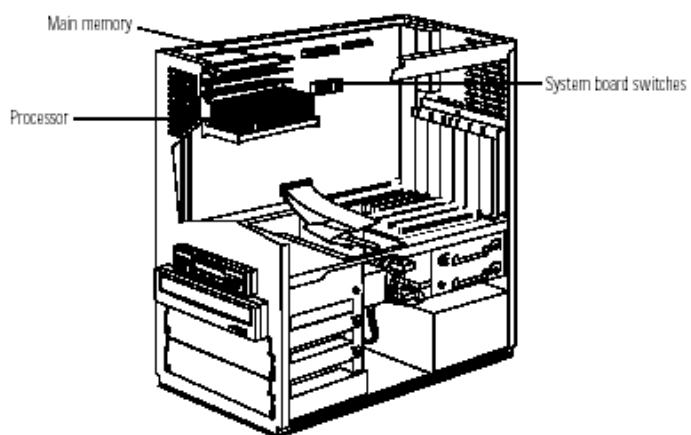
Component	HP Vectra VL Desktop PC	HP Vectra VL Minitower PC
Microprocessor	Pentium II, 66MHz Front Side Bus models: 300MHz, or 333MHz. 100MHz FSB models: 350MHz, 400MHz or 450MHz (when available).	
Chipset Features	Intel 440BX AGPset <ul style="list-style-type: none"> ● <i>New</i> 100MHz Front Side Bus on some models for faster data transfer between the processor and the main memory. ● AGP-enabled (Accelerated Graphics Port) for enhanced graphics performance. ● ACPI (Advanced Configuration and Power Interface), enabling the operating system to control the PC's power management. ● Ultra DMA-33 support (for hard disks on Primary IDE channel ONLY). ● SDRAM support for faster data streaming between the Pentium II, the graphics accelerator, and PCI devices. 	
BIOS and System Management Features	<ul style="list-style-type: none"> ● Multiple-Boot capability. User can choose the boot device when the PC is powered-on. ● Chassis Intrusion Detection. If the cover is removed when the PC is switched off, an alert will be generated when the PC is next switched on. This alert can be monitored with HP TopTools. ● <i>New</i> Power Glitch Detection. If the power supply momentarily falls below 4.7 Volts, a reset is triggered and the PC automatically reboots. If the PC resets for no apparent reason, the user can consult TopTools for a report about why it occurred. 	
Main memory	<ul style="list-style-type: none"> ● 32 MB or 64 MB 100 MHz SDRAM, upgradable to 384MB with three 128MB DIMMs (768MB version available soon with 256MB DIMMS). ● Three DIMM sockets. ● Support of <i>Serial Presence Detect</i> for detection and identification of defective memory modules. 	

5

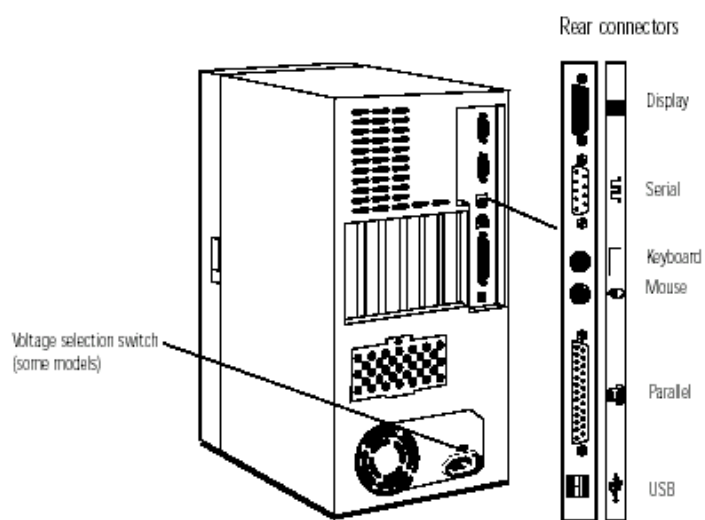
Component	HP Vectra VL Desktop PC	HP Vectra VL Minitower PC
Communication ports	2 x USB connectors, 1 x serial port, 1 x parallel port, keyboard, mouse, 1 x VGA display port.	
Mass storage (standard models)	<ul style="list-style-type: none"> ● 4.3 GB IDE or 6.4GB IDE. ● 5 or 4 shelves (3 front access and 1 or 2 internal). 	<ul style="list-style-type: none"> ● 4.3 GB IDE, 6.4GB or 10GB IDE. ● 7 shelves (4 front access and 3 internal).
Floppy disk drive	Standard version <i>without</i> bezel.	Standard version <i>with</i> bezel.
Power supply	Auto-ranging 100/240 VAC or manually switched 115/230 VAC, 170 W input, 120 W output.	Auto-ranging 100/240 VAC or manually switched 115/230 VAC, 220 W input, 145 W output.

Minitower Package

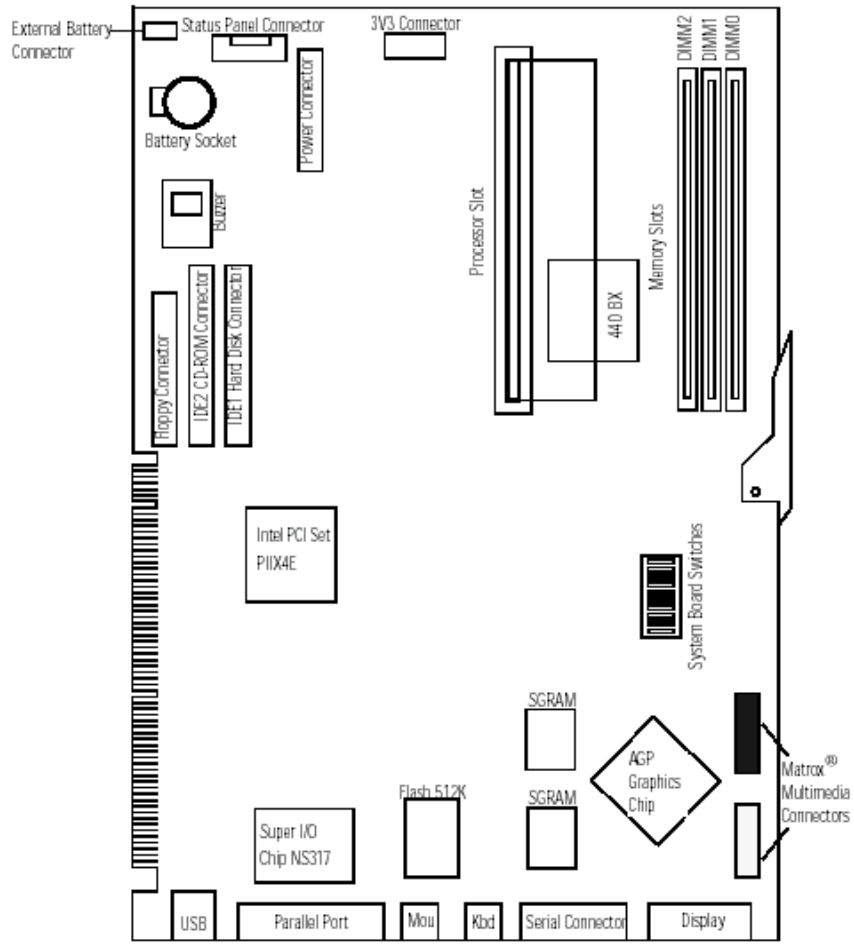
Front view with cover removed



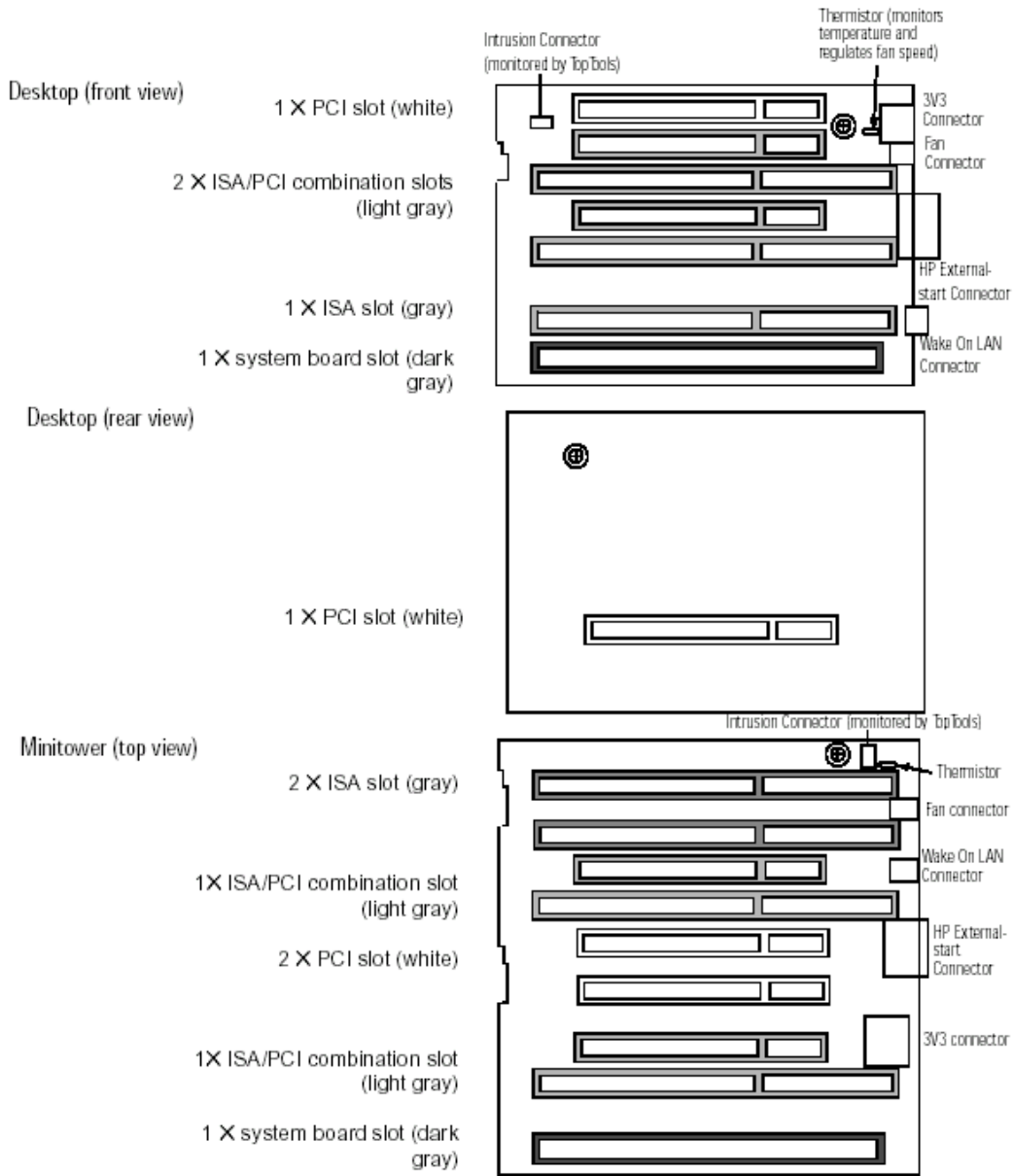
Rear view



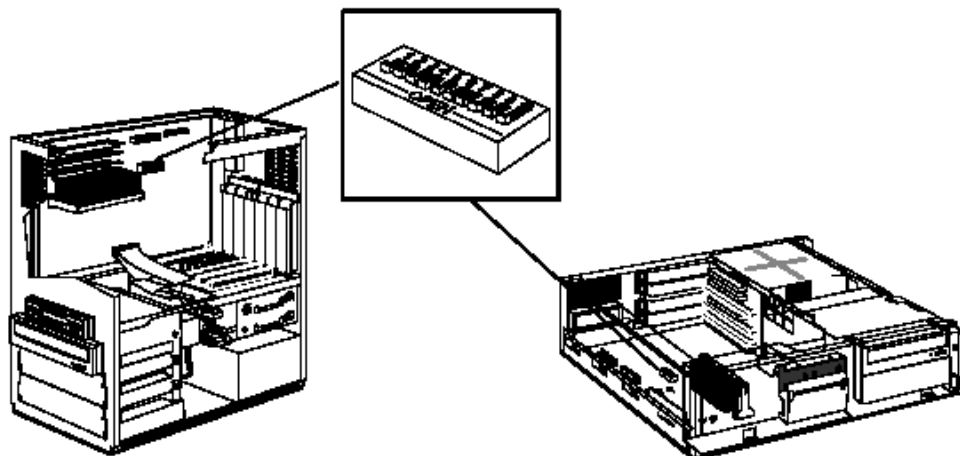
System Board and Backplanes



System Board and Backplanes



System Board Switches



Switch	Function	Default
1-5	Processor frequency, see the following table	—
6	Open	Normal operation
	Closed	Clears CMOS (to reload the <i>Setup</i> program defaults)
7	Open	Normal operation
	Closed	Clears User and Administrator passwords
8	Open	Disables keyboard power-on
	Closed	Normal operation
9	RESERVED — Should normally be kept in the Open position. Used in case of power loss during BIOS update (see Crisis Recovery on page 15).	Open
10	RESERVED — Do Not Use	Closed

Processor Frequency Bus 100MHz	Processor Frequency Bus 66MHz	Switch				
		1	2	3	4	5
350 MHz	233 MHz	Open	Open	Open	Closed	Closed
400 MHz	266 MHz	Open	Open	Closed	Open	Open
450 MHz	300 MHz	Open	Open	Closed	Open	Closed
	333 MHz	Open	Open	Closed	Closed	Open

Key Features

Key Features	
Ultra ATA	The Ultra ATA interface enables the Ultra DMA/33 protocol to increase the burst data transfer rate to 33 megabytes per second. Additionally, Ultra ATA provides new data verification checks to ensure that transferred data is not corrupted. Ultra ATA maintains backward compatibility with the existing ATA standard for IDE devices. Devices which transfer data at different speeds may be connected to the same Ultra ATA data cable; the system will detect and use the correct speed for each device.
Multi Boot	With the Multi Boot feature, the order in which the PC will boot from your devices is no longer determined by the physical connection. The user can connect IDE devices to the Ultra ATA cable in any order and then select the boot order for all bootable drives (including floppy drive, CD-ROM drive, and SCSI drives) with the HP Setup program.
Intel 440BX AGPset Features	This Intel chipset is optimized for Pentium II processor-based systems. It supports ACPI for increased manageability across the corporate network. It is AGP-enabled for enhanced graphics performance. The chipset also provides support for Ultra DMA/33.
Advanced Configuration and Power Interface (ACPI)	ACPI is an open standard for enabling the operating system to control power management in a PC. It enables a PC to switch on instantly when the user needs it and remains available for remote management when switched off.
Accelerated Graphics Port	AGP technology accelerates the flow of data between the Pentium II processor, the video graphics controller, and system memory. It also takes away graphics tasks from the PCI bus, freeing PCI bandwidth for other I/O-intensive applications. The integrated Matrox Productiva3D™ graphics accelerator supports AGP, and uses Synchronous Graphics RAM (SGRAM) memory architecture, to increase bandwidth for graphics-intensive functions.
Universal Serial Bus	Users can connect USB accessories to the PC without any need to remove the cover or restart the operating system, reducing support costs. Note that USB is not supported by all operating systems, or operating system revisions.

12

View Details 

Brand	Hewlett Packard
Form Factor	Mini Tower
Manufacturer Part Number	D5893A#ABA
Optical Drive Type	CD-ROM 32X
Processor Type	P3
Audio / Video	
Audio Output Type	Sound card
Max. Video Resolution	1600 x 1200
Video Input Type	None
CD / DVD	
Read Speed	32x

ReWrite Speed	N/A
Write Speed	N/A
Dimensions	
Depth	17.34 in.
Height	17.26 in.
Weight	33.08 lb.
Width	7.56 in.
Display	
Type	None.
Hard Drive	
Capacity	6.4 GB- 8 GB
Controller Type (2nd)	None
Interface	DMA/ATA-33 (Ultra)
RAID Level	None
Key Features	
Installed Memory	64 -96 MB (SDRAM)
Operating System	NONE
Processor	Intel Pentium III 450 MHz
Recommended Use	Corporate Business, Small Business
Memory	
Installed Cache Memory	512 KB
Installed RAM	64 MB
Installed Video Memory	4 MB
Max. Cache Memory	512 KB
Max. Video Memory	4 MB
Maximum RAM	768 MB
RAM Technology	SDRAM
Miscellaneous	
Exterior Color	White
Package Qty.	1
Product ID	20106730
Modem	
Type	None
Motherboard	
Bus Speed	100 MHz
Video Output Interface	AGP
Networking	
Type	None
Other Drives	
Floppy Drive	3.5" 1.44 MB floppy
Removable Drive Type	None
Processor	
Installed Qty.	1
Max Qty.	1
Processor Manufacturer	Intel
Processor Speed	P2-350-P3-600 OR MORE MHz
Processor Upgradability	Upgradable
Warranty	
Warranty	30 DAYS



HOW CAN WE HELP YOU?
+62.21.612.3888
[Mail Us](#)

[↑ Return To Top](#)

[Home](#) | [About Us](#) | [Freight](#) | [Contact Us](#) | [Privacy](#) | [Terms & Conditions](#)

Aogem ® Copyright © 2005 Megsales.com. All rights reserved. All Company Logo, Company and product names are trademarks or registered trademarks of their respective companies.

This site is best viewed in 1024 resolution. If the web page is not covering your entire screen you can change your resolution from display properties.

BTX,IBM,NETVISTA,THINKCENTRE,A51P,8421,8422,CLOSEOUT,MOTHERBOARD,915,INTEL,PENTIUM

PENTIUM4;775,GREATDEALS,DESKTOP,P4,SUPER COOL,HEATSINK,COOL,INTEL EXTREME,INTEL 900,STOCKLOT,STOCK LOT,CLEARANCE,EXPORT,